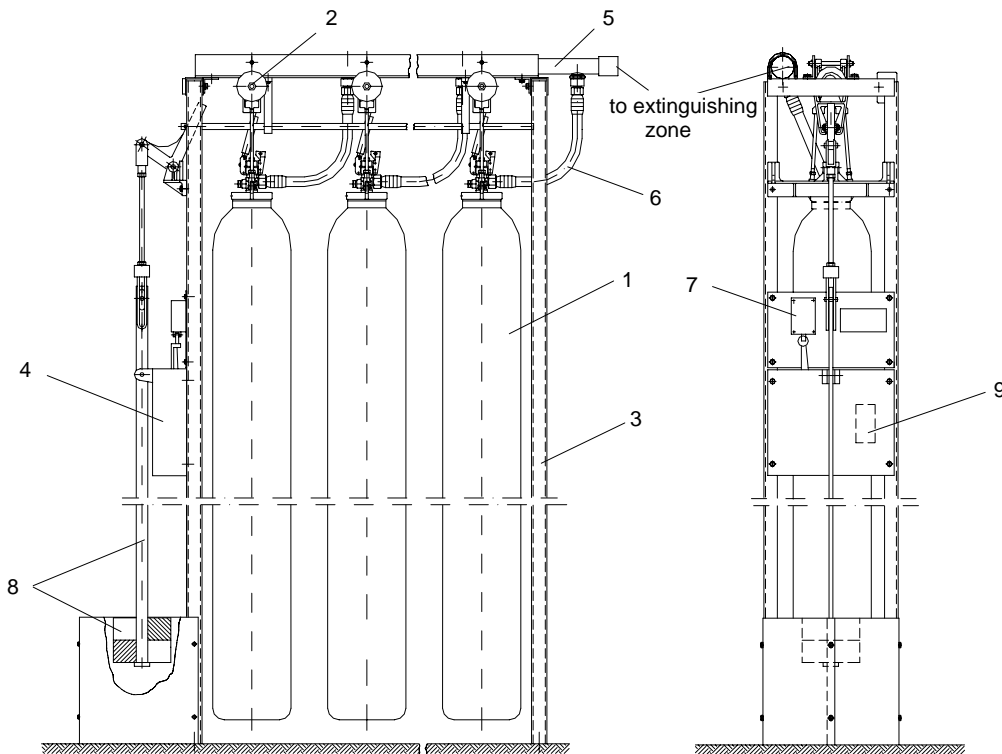


Description of Functions:

The extinguishing agent (CO₂) is stored in steel cylinders under high pressure in liquid form. According to the required quantity, a number of cylinders are combined to a cylinder battery. Triggering of the cylinder battery is achieved by mechanical or pneumatical release and/or by means of electrically unlocking the triggering mechanism in the release box VZ2.

A mechanical delay device prevents CO₂ from being released before the adjustable pre-warning time passed. Uncontrolled escaping of CO₂ from the cylinders would be indicated by an optical/mechanical loss indication at each cylinder.

Switching electric drives and equipment as well as electrical signalling is possible in the protected area via switches at the release box.



To be delivered:

- 1. Steel cylinder 40.0l/67.5l/80.0l
Fast opening valve
CO₂ filling
(Number acc. to quotation,
with odouriser)
- 2. Mechanical loss indication
for each cylinder
- 3. Cylinder rack
- 4. Release box with delay device

- 5. Manifold with check valves
- 6. CO₂ connection hose
- 7. Switch for external
signalling
- 8. Release weights and
linkage
- 9. Release cylinder

On the part of the builder:

- Appropriate installation space
according to space
requirements in the quotation.
Cabling and electric connections
Protection around cylinder
battery against unauthorised
handling
Electric earthing of cylinder
battery