

(replaces datasheets 1011/81 / 89 / 94 / 145 / 146)

### General description

A range of manually operated fog/jet water/foam monitors with exceptional flow characteristics, optimising throw range with delivery of water or foam in jet form or as a spray pattern. The range is available for a number of alternate mounting positions, with two main types: the FJM and FJM-S, where the 'S' version has an in-built foam concentrate inductor, eliminating the need for a separate proportioning system.

### Application description

The range of fog/jet monitors are designed for easy operation, reliability in use and over time and lower weight, due to the selection of build materials employed.

FJM monitors have a wide operating range, site adjustable for maximum flexibility to take local conditions into account and still maintain the highest level of performance.

Note that when running any of the FJM range of monitors, the monitor needs to be adjusted to nominal capacity for accurate proportioning.

### Product features

- Wide flow range
- Adjustable flow
- Compact balanced design
- Low weight
- Easily manoeuvred due to low friction bearings
- Long throw length
- Adjustable stream pattern
- Corrosion resistant construction of stainless steel and bronze

### Connections

- Foam/water inlet: flanged according to DIN PN 16 or ANSI 150 lbs or JIS 10K

### Optional components

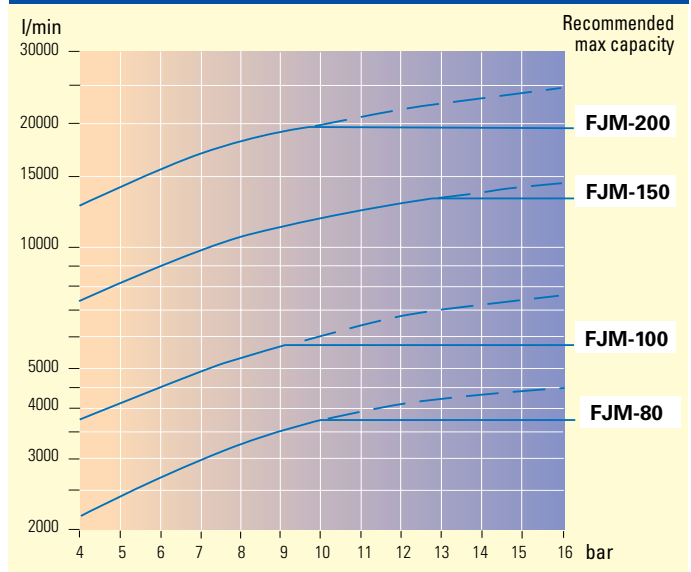
- Built-in inductor for all models ("S" version)
- Gear operation; optional for FJM-150, standard for FJM-200
- Suction hose and valve



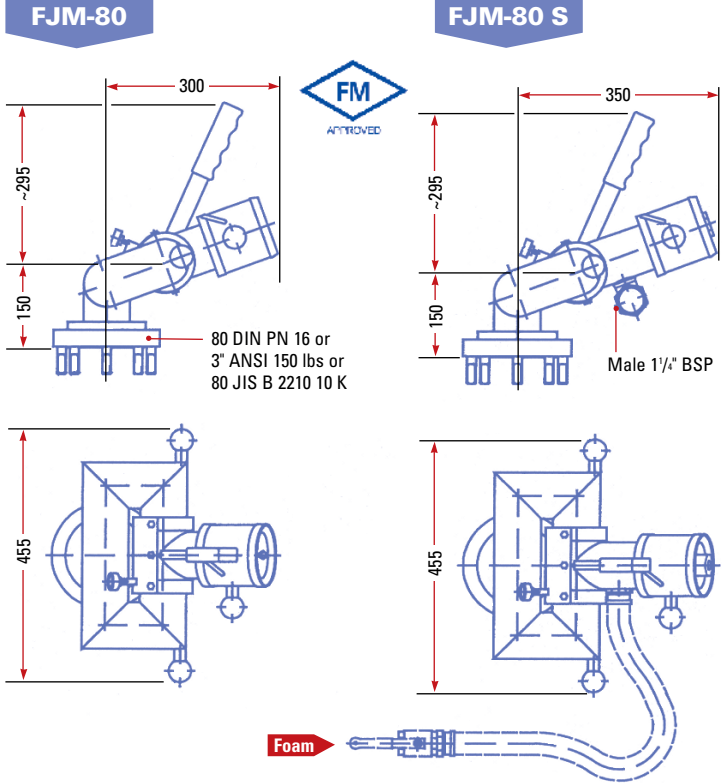
### Listings and approvals

- Marine approvals (DNV, LRS)
- Factory Mutual (FM); FJM-80; FJM-100; FJM-150; FJM-200
- China National Test Centre Approval (TFRI); FJM-80; FJM-100; FJM-150 and S-versions
- Russian Maritime Register of Shipping (RMRS); FJM-100EL, FJM-150EL
- Russian State Fire Academy

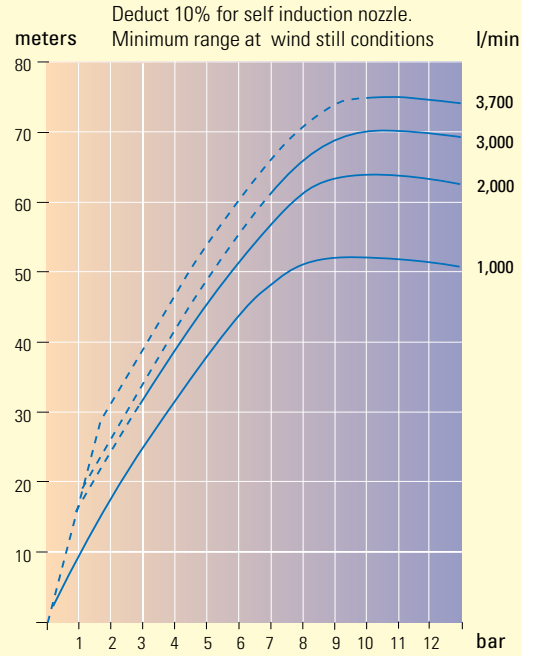
### FJM Monitors - Capacity Ranges



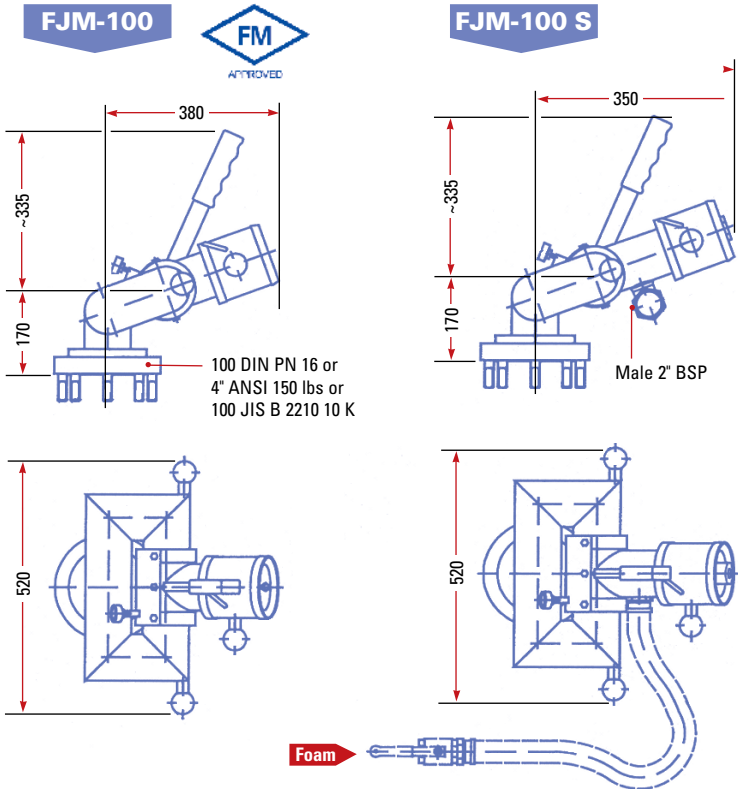
(replaces datasheets 1011/81 / 89 / 94 / 145 / 146)



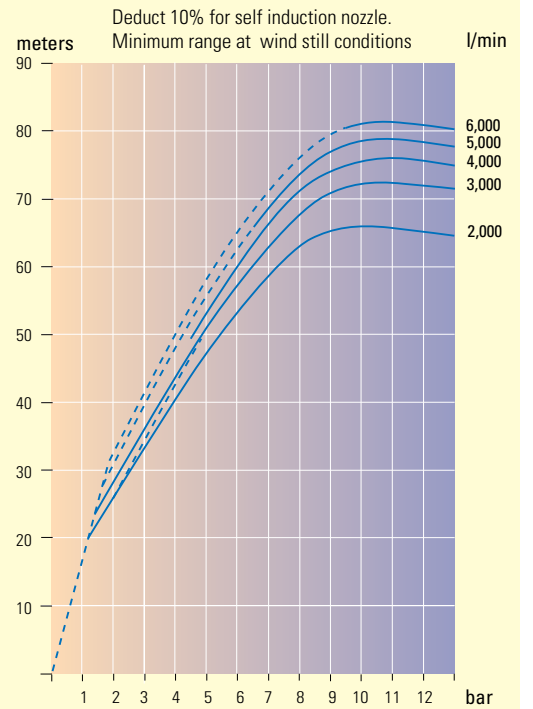
### FJM-80 Monitor - Range of Jet



$$\text{Reaction force (N)} = 0.233 \times Q (\text{l/min}) \times \sqrt{p (\text{bar})}$$



### FJM-100 Monitor - Range of Jet



$$\text{Reaction force (N)} = 0.233 \times Q (\text{l/min}) \times \sqrt{p (\text{bar})}$$



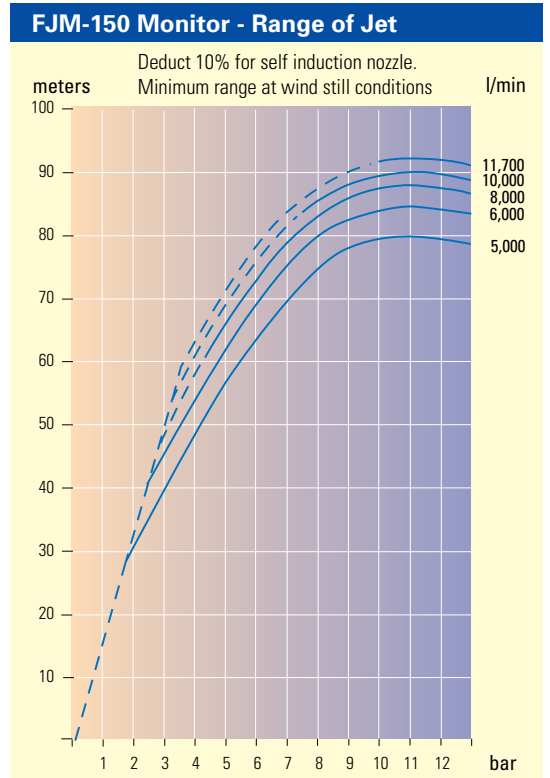
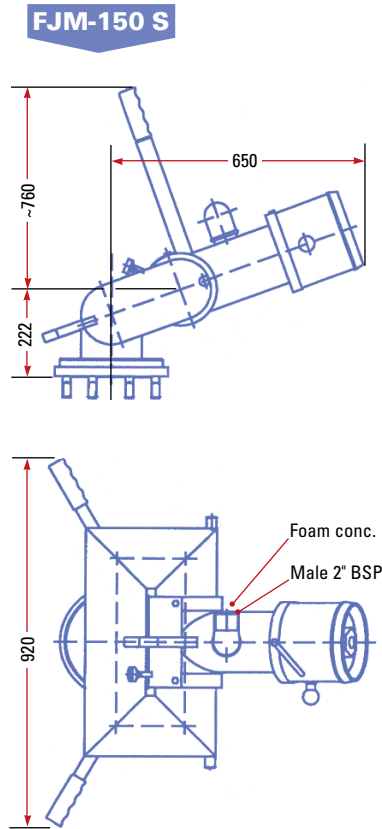
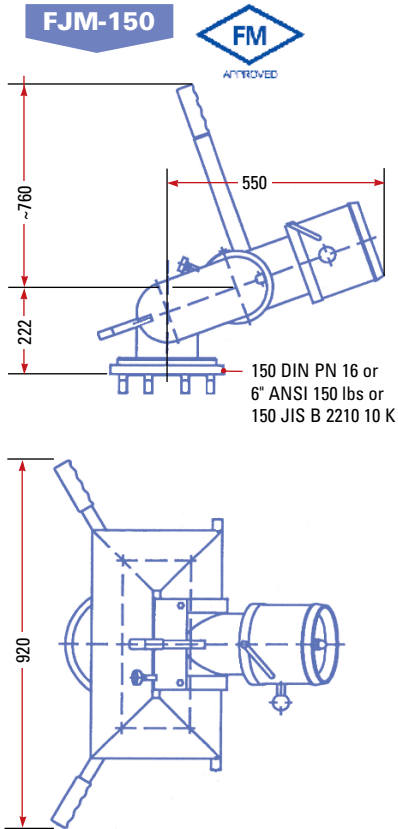
**tyco**  
Fire Suppression  
& Building Products

www.skum.com

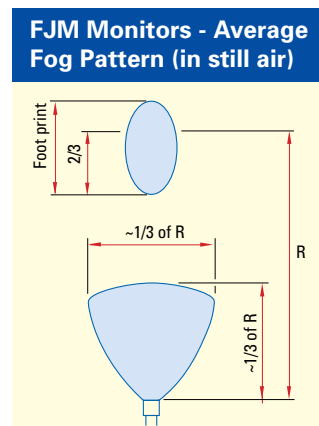
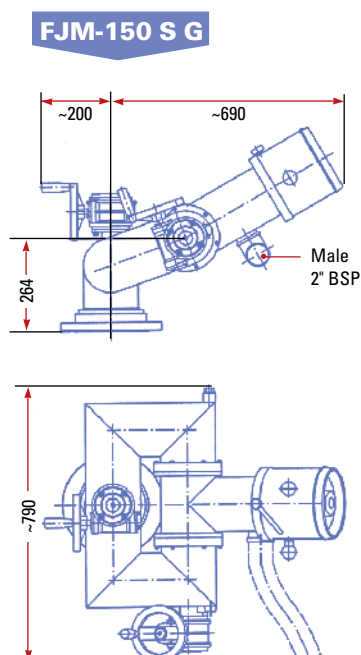
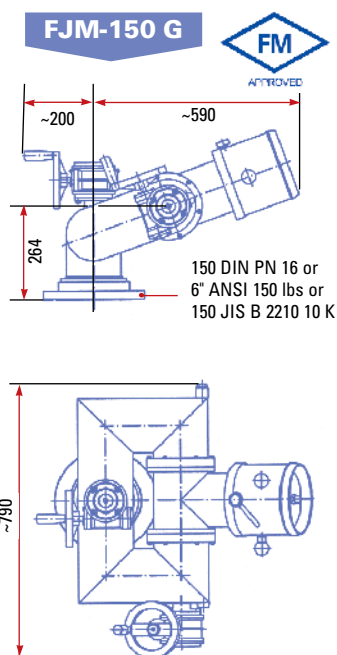
Technical changes reserved without notice  
Copyright © 2009 Tyco Fire Suppression & Building Products

TYLENSKUM02 / v1.0

(replaces datasheets 1011/81 / 89 / 94 / 145 / 146)



Reaction force (N) = 0.233 x Q (l/min) x √p (bar)



**tyco**  
Fire Suppression  
& Building Products

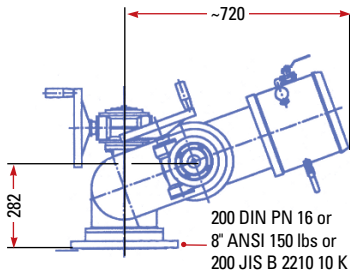
www.skum.com

Technical changes reserved without notice  
Copyright © 2009 Tyco Fire Suppression & Building Products

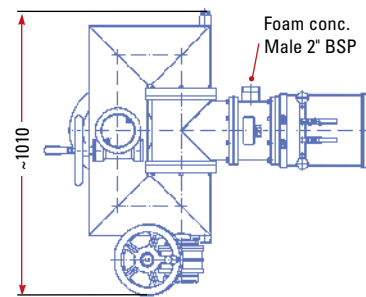
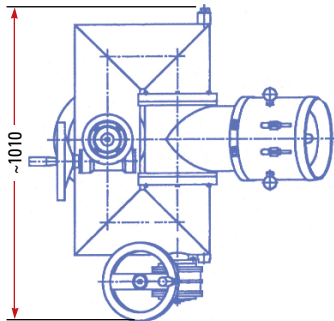
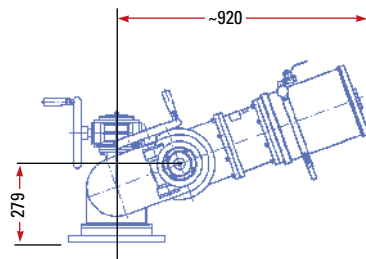
TYLENSKUM02 / v1.0

(replaces datasheets 1011/81 / 89 / 94 / 145 / 146)

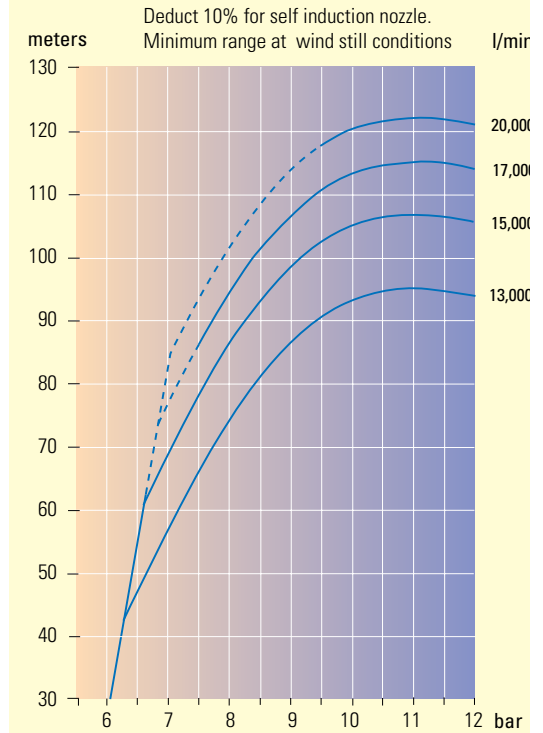
### FJM-200 G



### FJM-200 SG



### FJM-200 Monitor - Range of Jet



$$\text{Reaction force (N)} = 0.233 \times Q \text{ (l/min)} \times \sqrt{p \text{ (bar)}}$$

### Order information

Description	Part No.
FJM-80 DIN/ANSI	160208102
FJM-80 DIN/JIS	160208304
FJM-80 S DIN/ANSI, excl suction hose	161008340
FJM-80 S DIN/JIS, excl suction hose	161008551
FJM-80 Suction Hose 1 1/2" 3 mtr	161008618
FJM-100 DIN/ANSI	160210102
FJM-100 DIN/JIS	160210305
FJM-100 S DIN/ANSI, excl suction hose	161010315
FJM-100 Suction Hose 2" 3 mtr	161010606
FJM-150 DIN/ ANSI/JIS	160215107
FJM-150 S DIN/ANSI, excl suction hose	161015405
FJM-150 G DIN/ANSI/JIS	161015317
FJM-150 S G DIN/ANSI/JIS, excl suction hose	161015338
FJM-150 Suction Hose 2" 3 mtr	161015608
FJM-200 G DIN	161320127
FJM-200 G ANSI	161320229
FJM-200 S G ANSI, excl suction hose	162020260
FJM-200 Suction Hose 2 1/2" 3 mtr	161320618

Performance Data				
FJM Series - Standard	80	100	150	200
Water capacity	3,700 l/min	6,000 l/min	11,700 l/min	20,000 l/min
Design pressure	16 bar	16 bar	16 bar	13 bar
Rotation	360°	360°	360°	360°
Elevation	-60° / +90°	-60° / +90°	-60° / +70°	-60° / +70°
Connection flange	Stud bolt	Stud bolt	Open hole	Open hole
Weight	14 kg / 31 lbs	22 kg / 49 lbs	57 kg / 126 lbs	90 kg / 199 lbs

Performance Data				
FJM-S Series - Built-in inductor	80	100	150	200
Water capacity	3,700 l/min	6,000 l/min	11,700 l/min	20,000 l/min
Foam capacity	170 l/min	320 l/min	600 l/min	600 l/min
Elevation	-45° / +90°	-45° / +90°	-45° / +70°	-45° / +70°
Suction connection	1 1/2" BSP male	2" BSP male	2" BSP male	2" BSP male
Weight	15 kg / 33 lbs	24 kg / 53 lbs	60 kg / 132 lbs	93 kg / 205 lbs



www.skum.com

Technical changes reserved without notice  
Copyright © 2009 Tyco Fire Suppression & Building Products

TYLENSKUM02 / v1.0